



AUTOMATIC SKEW TWIN LNB



SSA-850

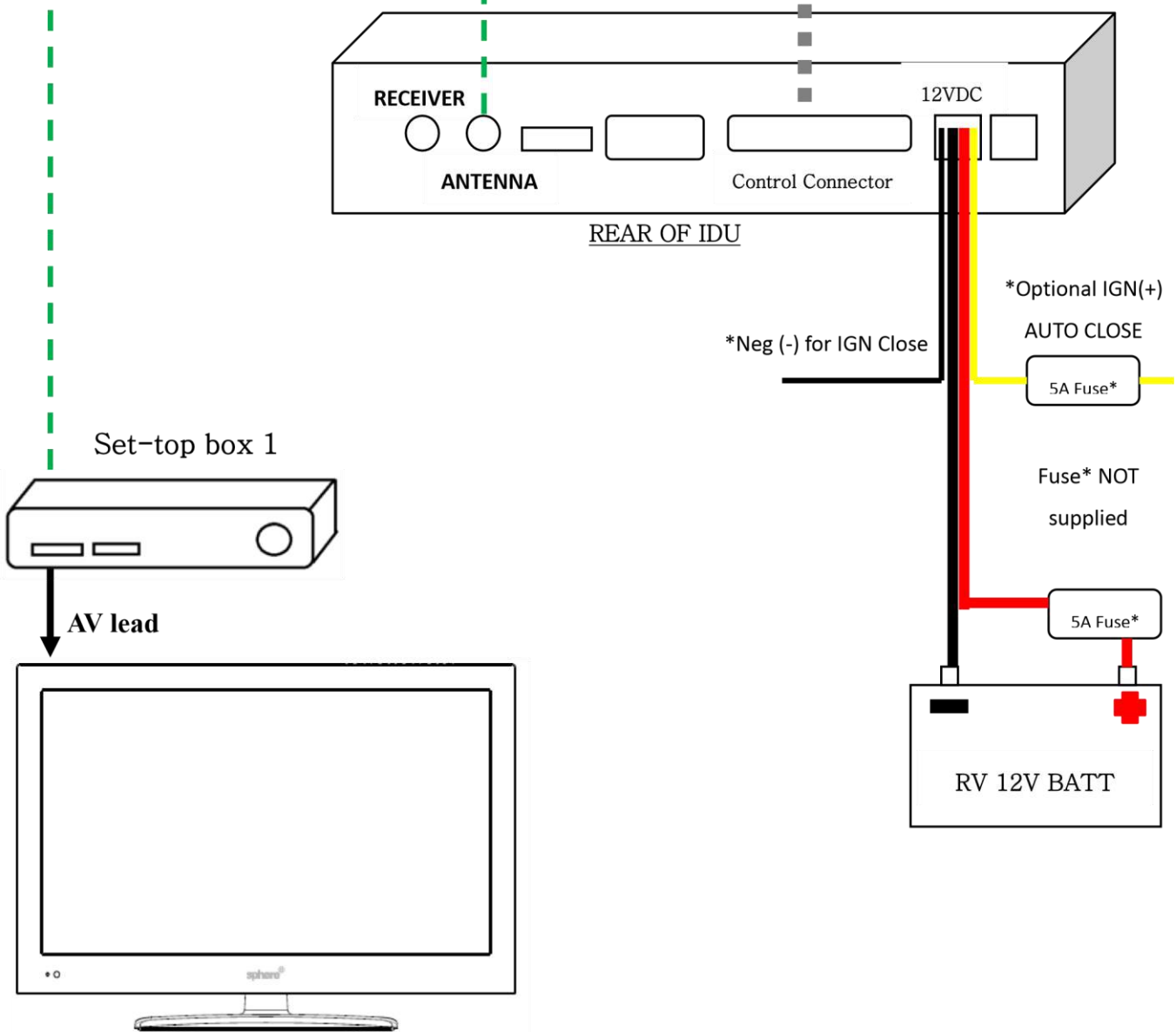
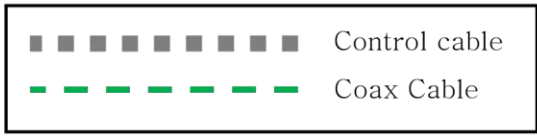
Options for COAX wiring for different set top box combinations

To be used as a guide only.

23/09/2013

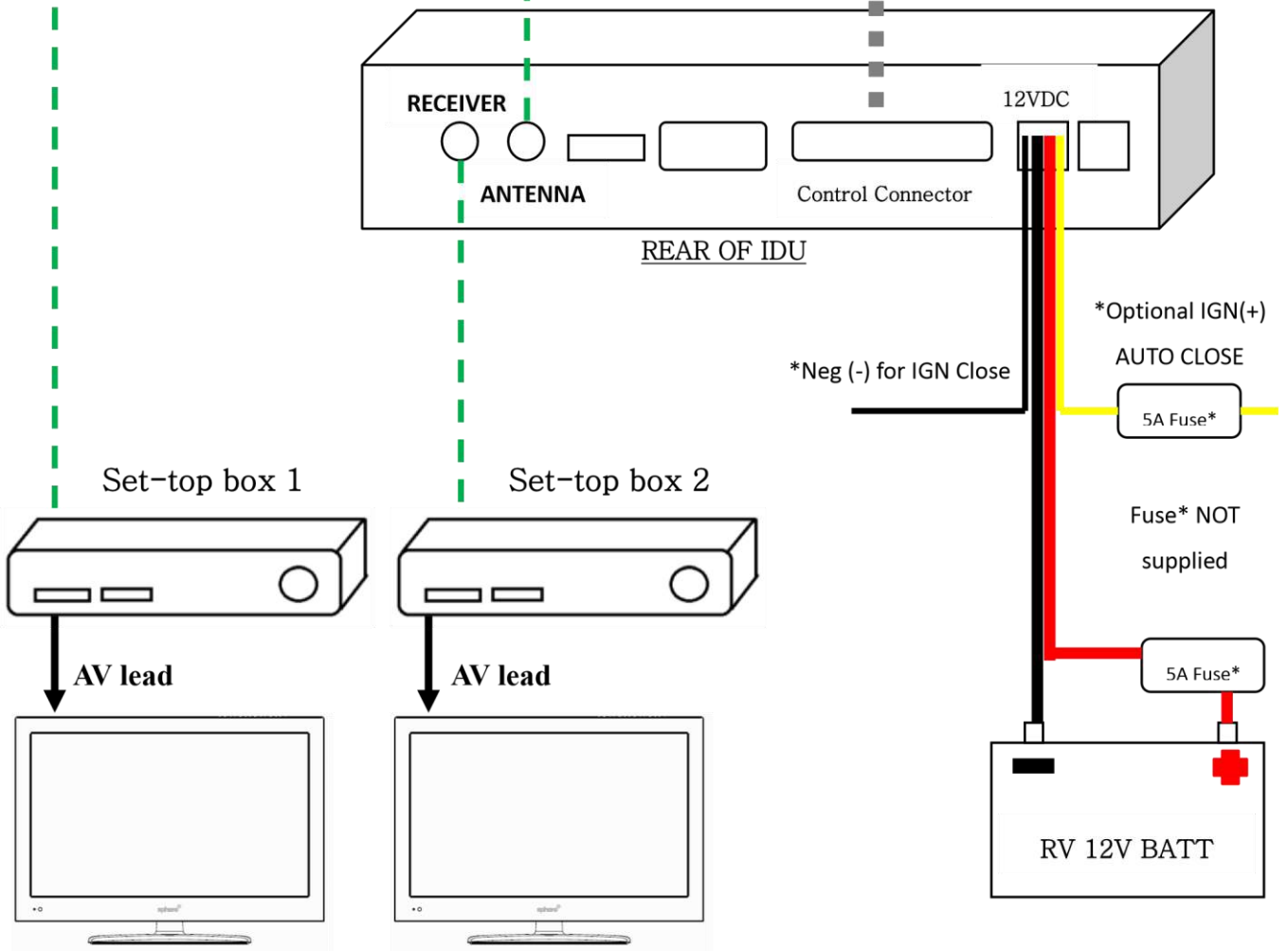
Connection diagram

Single Tuner Set top box example.



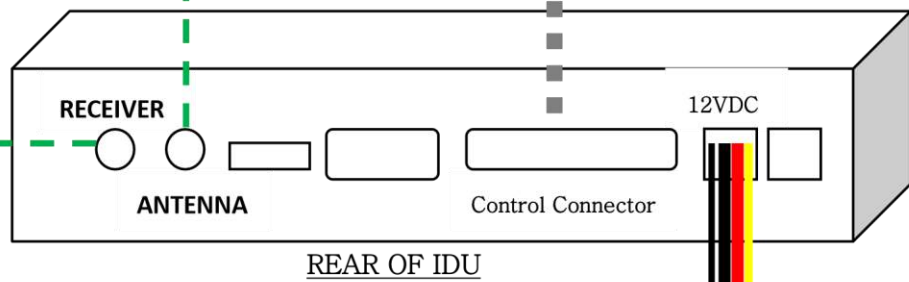
Connection diagram

2x Single Tuner Set top box example.

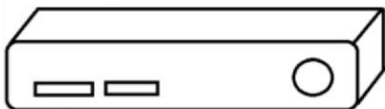


Connection diagram

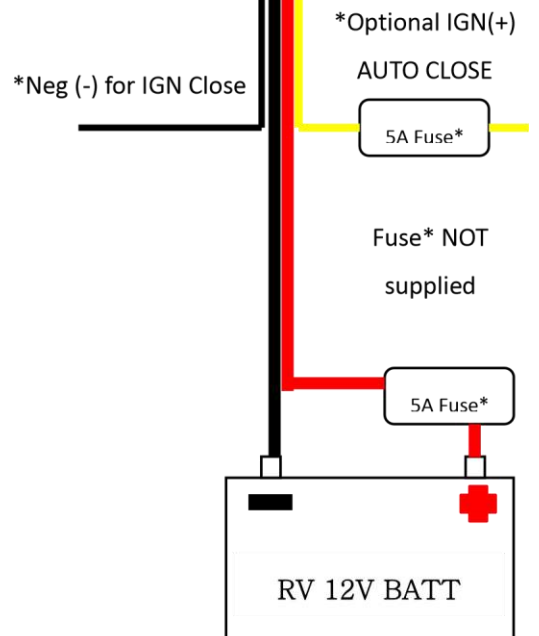
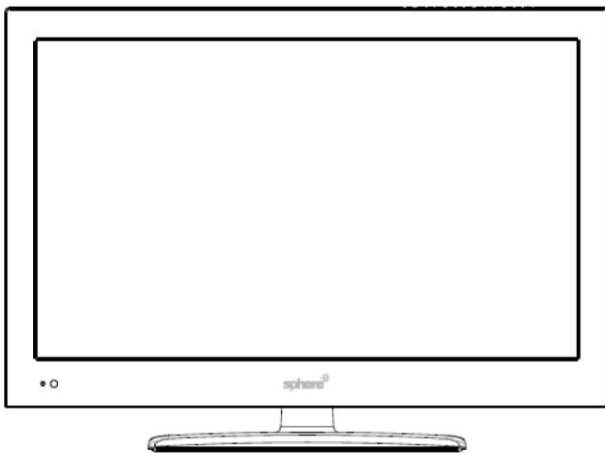
1x Twin Tuner Set top box example.



Set-top box 1
This is a *TWIN TUNER* box that requires 2x LNB Coax feeds.



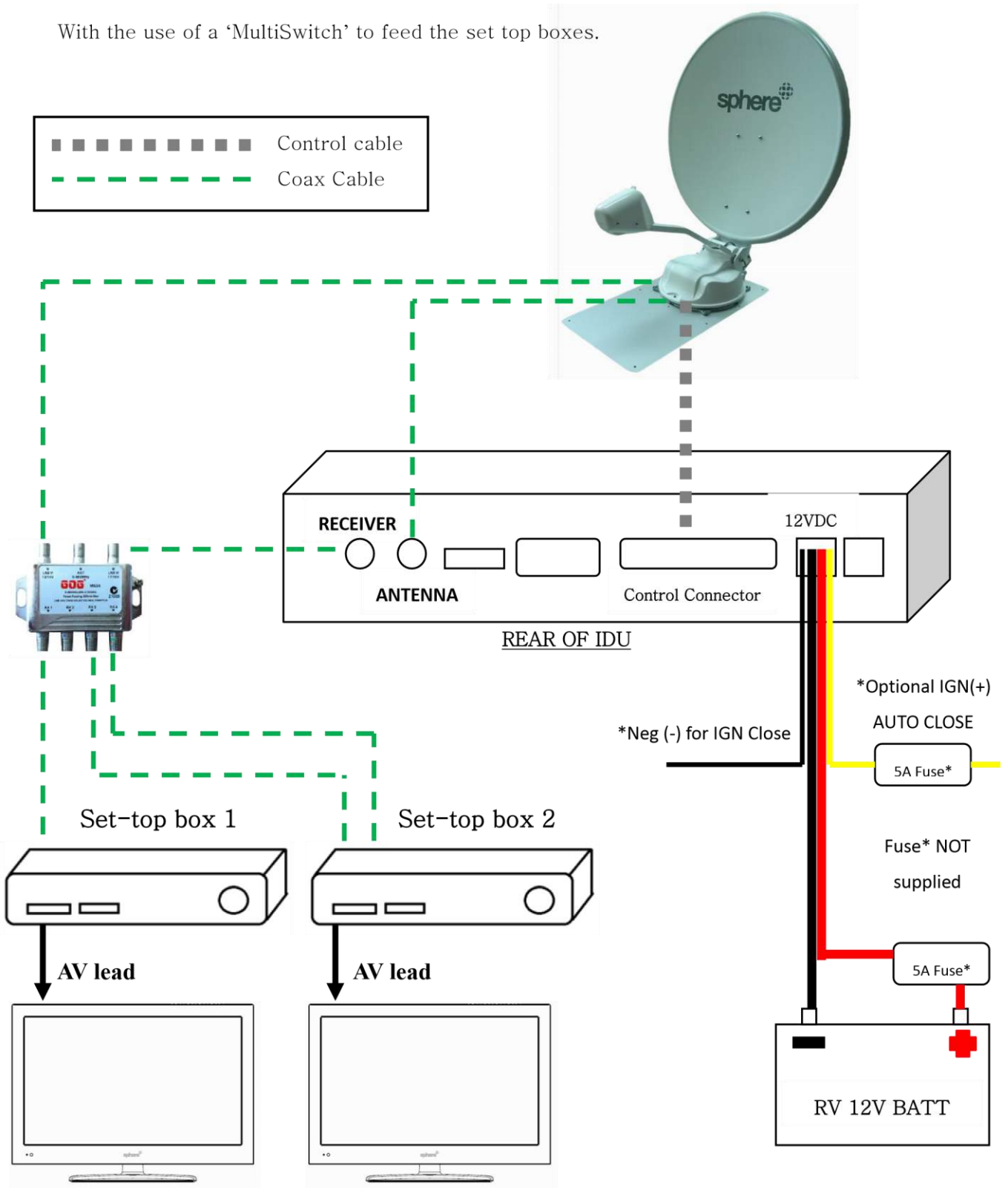
AV lead



Connection diagram

1x Single Tuner & 1x TWIN TUNER

With the use of a 'MultiSwitch' to feed the set top boxes.



Connection diagram

2x TWIN TUNER

With the use of a 'MultiSwitch' to feed the set top boxes.

